



Yukon Gear & Axle®

Spin Free® Unit Bearing Eliminator Installation Instructions

- > 1994-1999 DODGE 2500/3500**
- > 2000-2008 DODGE 2500/3500 SRW/DRW**
- > 2009-2015 DODGE 2500/3500 SRW/DRW**

PLEASE READ COMPLETELY BEFORE INSTALLATION

Unit Bearing Eliminator Kit Installation Instructions for Dodge 3/4 & 1 Ton Truck

DRW = Dual Rear Wheel
SRW = Single Rear Wheel

Before starting, make sure you have all the proper tools and safety equipment!

- Read instructions carefully before starting. Do not attempt to install the kit unless you are an equipped and experienced mechanic.
- Always wear safety goggles and proper safety gear when dealing with tools and chemicals
- Check parts list carefully. If any components are missing, contact your Yukon distributor.
- The Dodge 3500 DRW kits do not reuse the wheel adaptor. There is a new wheel hub for these trucks. Do not attempt to bore the inside diameter of the OEM wheel adaptor.
- The center cap of the OEM wheels will need to have a hole cut into them to properly engage the lockout.
- The locking hubs provided in this kit will need to be manually engaged for 4 wheel drive to work.
- Inspect all parts. If any parts appear to be damaged, contact your Yukon distributor for replacements. Any modified, neglected, abused or improperly installed parts will NOT be accepted or replaced.

TOOLS REQUIRED:

- 12mm Allen wrench or socket
- 22mm (or 7/8") wrench and socket
- 14 mm 12 point socket
- 4 point 1 ton spanner socket
- Die grinder w/flap wheel, or equivalent
- Common air or hand tools

INSTALLATION:

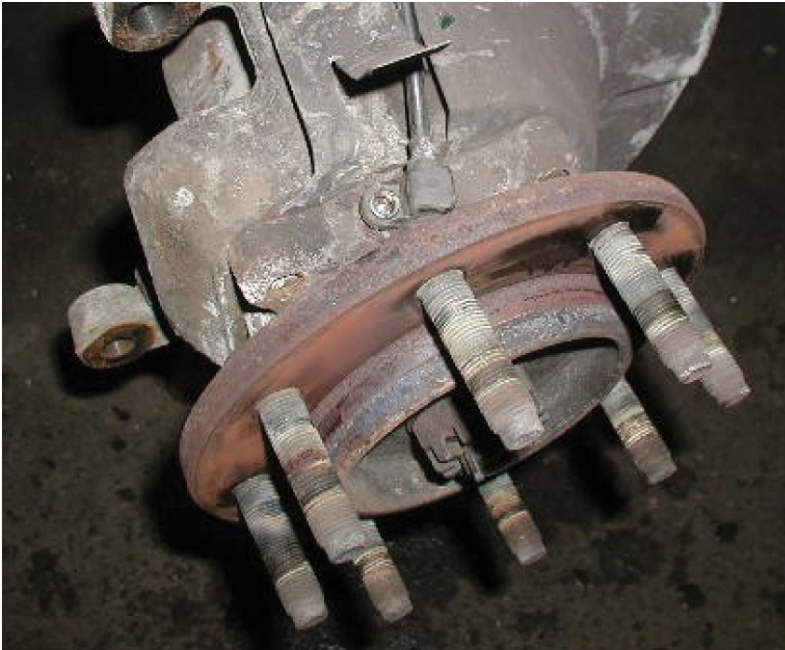
- Make all required modifications to your wheel's center caps.
- Clean and inspect all parts.
- Make sure vehicle is in park, with the emergency brake on.
- Block the rear tires.
- Lift and support the front axle with jack stands.
- Begin process to remove outer axles.
- Remove front wheels.
- Remove brake calipers and allow them to hang from vehicle. Do not hang calipers from brake hoses. It is NOT necessary to disconnect the brake hoses.
- Remove DRW adapters. (DRW trucks only)
- Remove factory brake rotor 2000-2015 Dodge. 94-99 Dodge brake rotor will need to be removed from OEM unit bearing and studs after being removed from the vehicle.



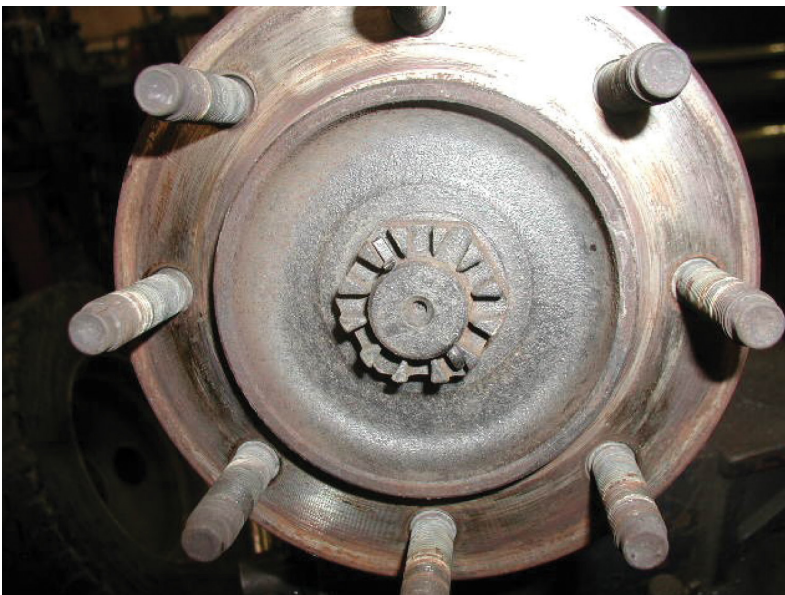
Spin Free® Unit Bearing Eliminator Installation Instructions

INSTALLATION (cont):

- Remove the ABS sensor. (if applicable.)
- (Dodge 2000-2015) Remove ABS Sensor bolt from top of unit bearing.
- (Dodge 94-99) Remove the ABS Sensor bolts from the back of the steering knuckle.
- Pull Sensor straight out of unit bearing. Take care not to damage the sensor.



- Remove (4) factory bolts retaining the unit bearing to the steering knuckle.
- Remove unit bearing assembly. This may take some force depending on amount of rust, salt or corrosion present. The axle shafts will be removed with the unit bearing. Take caution removing the shaft assembly not to damage the inner shaft seals.



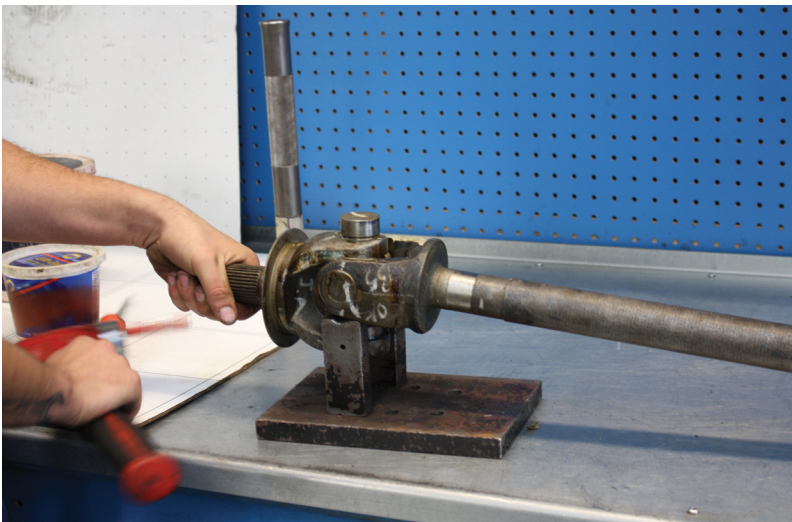
Spin Free® Unit Bearing Eliminator Installation Instructions

INSTALLATION (cont):

- Remove the OEM U-joint and inner axle from the outer axle. Check the OEM U-joints for excessive play or wear. Replace shaft U-joints if necessary. If being reused the U-joints may be left pressed into the inner axle shaft. Shaft assembly may need to be removed from the unit bearing for U-joint removal. Remove cotter pin and unit bearing retaining nut using a 1-11/16" socket.
- Remove U-joint clips from the outer axle.



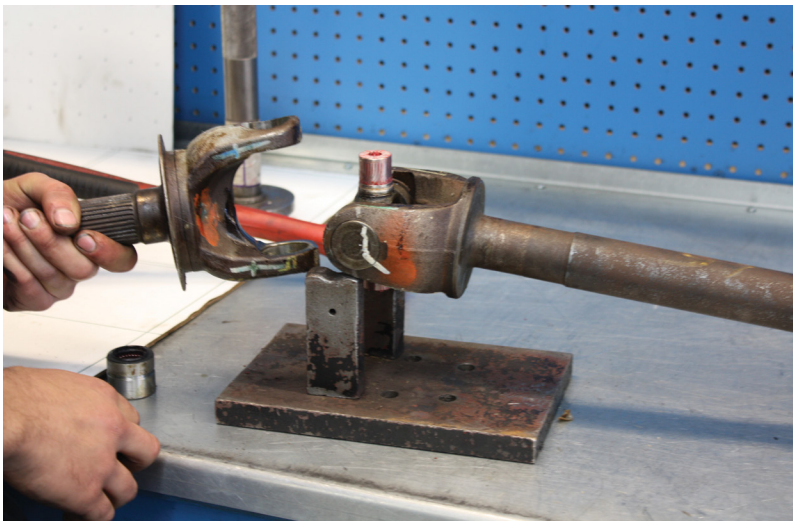
- Press the U-joint out of the OEM outer axle.



Spin Free® Unit Bearing Eliminator Installation Instructions

INSTALLATION (cont):

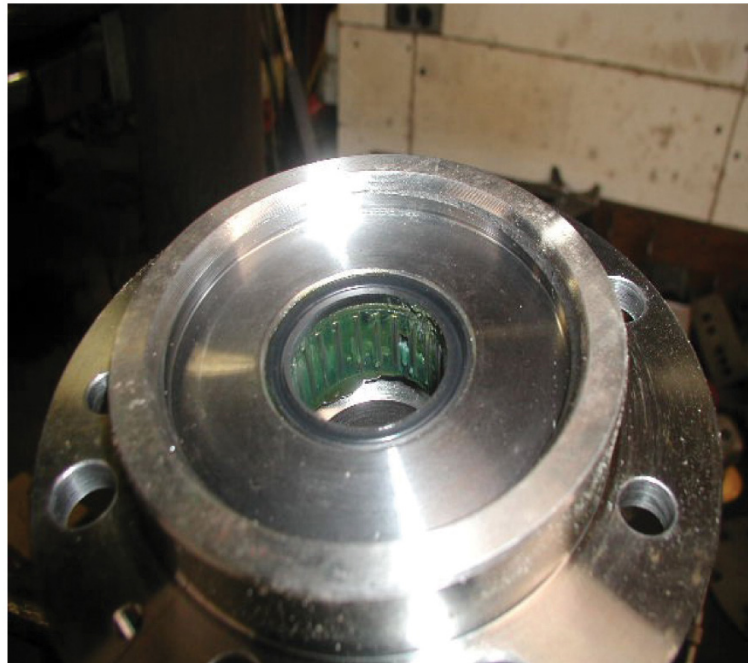
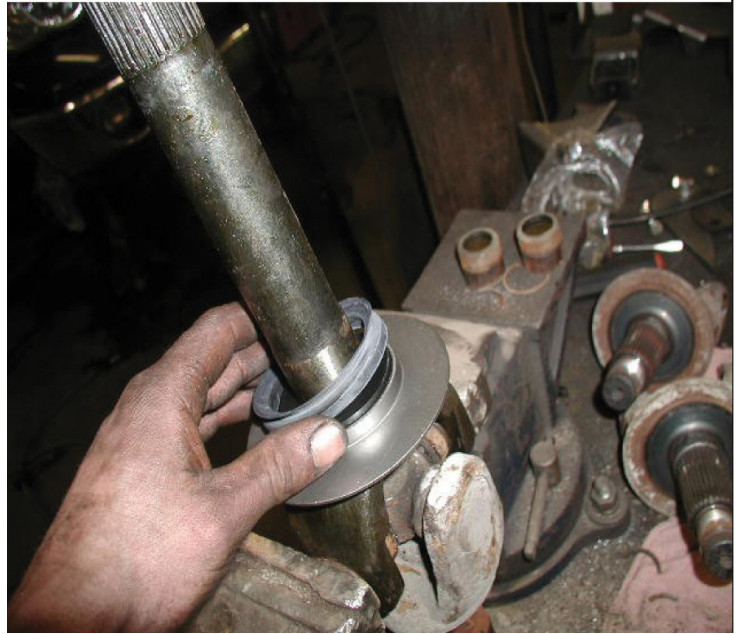
- If being reused the U-joints may be left pressed into the inner axle shaft.



- Install the new outer stub axles to the inner axle shaft and U-joint assembly.
- Dodge 2003-2009 will need to use the U-Joint spacers supplied with the kit. The spacers will center the U-joint between the OEM axle shaft.
- Install dust shields, spacers & seals to the outer stub axle. Install outer stub bearing and seal into the spindle.



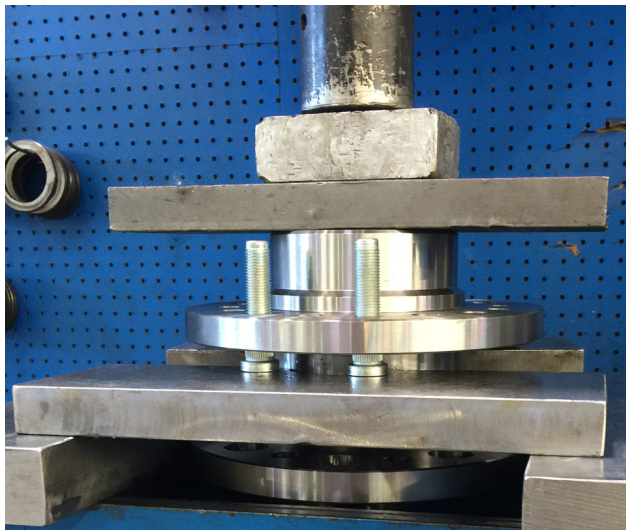
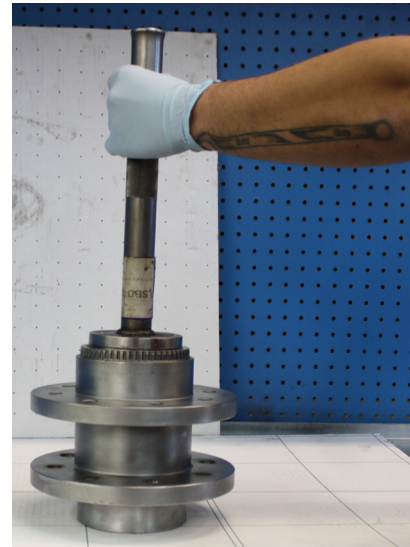
Spin Free® Unit Bearing Eliminator Installation Instructions



Spin Free® Unit Bearing Eliminator Installation Instructions

INSTALLATION (cont):

- Install wheel bearing races into the new wheel hubs provided in kit.
- Make sure bearing races are fully seated into the hub.



WHEEL STUD INSTALLATION

DRW 2000-2008

- Stud can be pressed in directly via brass drift given rotor flange holes are aligned.

DRW 2009 and up

- The wheel stud flange has holes for both metric and standard Wheel Studs.*
- Use the non treaded relief cut holes on the rotor mounting flange to position wheel studs into the holes.
- It is recommended to use a hydraulic press as shown beside to fully press studs in.

- * 2012 and up uses metric wheel studs which fit into the smaller holes.

SRW 1994-1999

- Press studs with hydraulic press through back of rotor and then through back of hub flange sandwiching them together.

SRW 2000 and up

- Press studs in through the back of hub flange using hydraulic press.



Spin Free® Unit Bearing Eliminator Installation Instructions

INSTALLATION (cont)

- Pack the inner wheel bearing with a high temperature disc brake wheel grease. Use a wheel bearing packer if possible. To pack by hand, place a large amount of grease in the palm of your hand and force the edge of the bearing into the grease so that it fills with grease. Continue until the whole bearing is coated with grease. Apply additional grease with fingers.



- Install the packed inner wheel bearing into the wheel hub.



Spin Free® Unit Bearing Eliminator Installation Instructions

INSTALLATION (cont):

- Apply multipurpose lithium grease to the hub seal. Coat the entire lip of the seal with grease.



- Press the hub seal into the new wheel hub.
- Pack the outer wheel bearing with grease as described above.
- Install the packed outer wheel bearing into the wheel hub.



ROTOR PLACEMENT

- (Dodge 1994-1999) Install OEM disk brake rotor on inside of hub flange and press studs through the back of the rotor and into the hub to connect the two peices.
- (Dodge 2000-2015 SRW) Brake rotor is installed at the very end and fits on over the top of the flange. It is floating on the wheel studs.
- (Dodge 2000-2015 DRW) Brake rotor is bolted using supplied hardware to the bottom flange threaded holes. As show on next page.

Spin Free® Unit Bearing Eliminator Installation Instructions



INSTALLATION (cont):

- (Dodge 94-99) The disc brake rotor will need to be removed from the OEM studs and unit bearing. Do not reuse the OEM wheel studs. Press new wheel studs into the supplied wheel hub to secure the rotor.
- Install the ABS sensor holder onto the spindle using the supplied hardware. Install the holder so the sensor wire is pointing towards the ball joints.
- Clearance the OEM dust shield to clear the ABS sensor as necessary. The OEM dust shield will be installed directly behind the new spindle.



Spin Free® Unit Bearing Eliminator Installation Instructions

INSTALLATION (cont):

- Clean the steering knuckle where the new spindle will be installed. You may need to use a die grinder equipped with a flapping wheel, depending on the amount of rust or corrosion present.

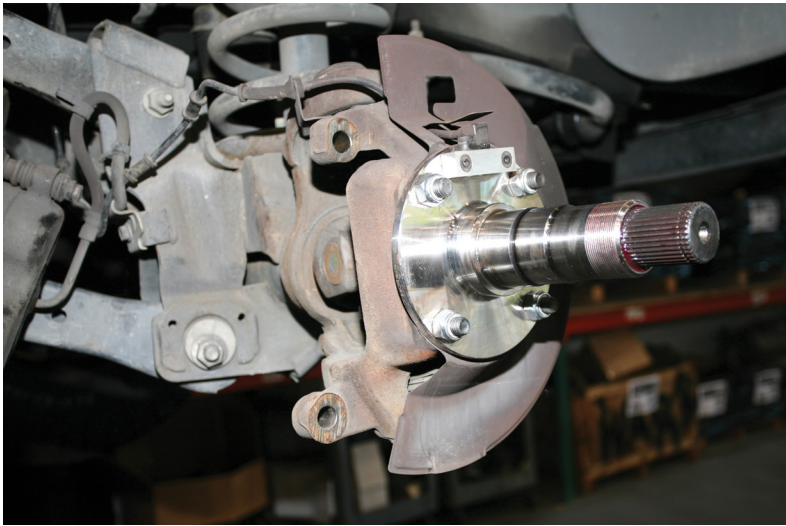


- Apply a liberal amount of grease to the seal area and splines of the inner axle shafts.
- Install new axle shaft assembly into the axle housing. Careful attention must be taken when installing the inner axle not to damage the inner axle seal.
- Apply anti-seize to the knuckle surface where the spindle will be installed.



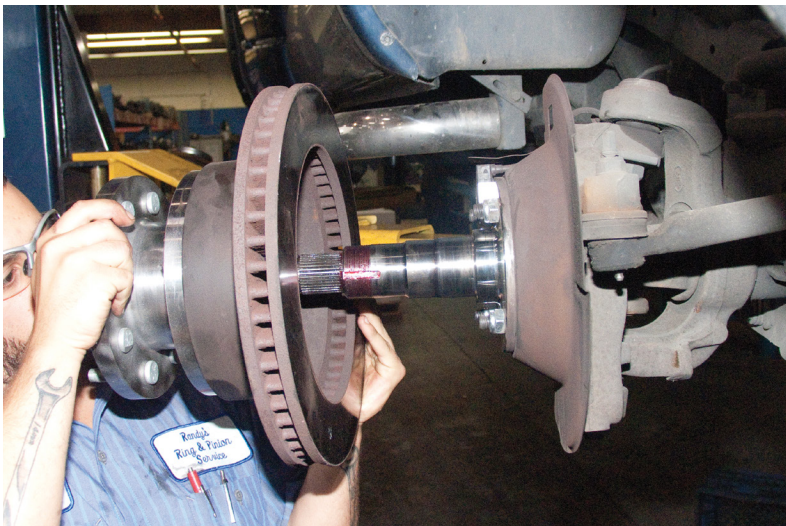
- Install the new spindle over the axle and into the steering knuckle. The 2 threaded holes must be aligned to the top of the steering knuckle. OEM dust shields must be located between the steering knuckle and the new spindles. Torque supplied hardware to 135 ft/lbs.

Spin Free® Unit Bearing Eliminator Installation Instructions

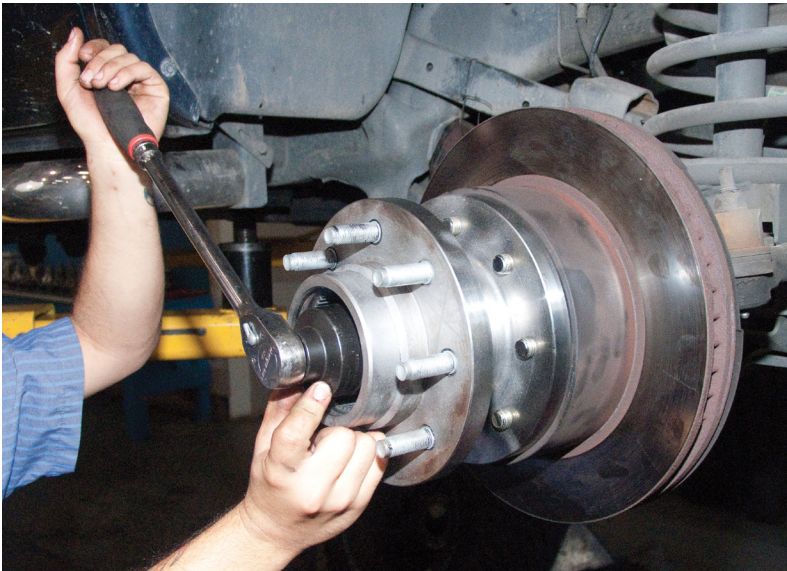


INSTALLATION (cont):

- Apply a light coat of grease to the outer spindle surfaces.
- Install the hub & rotor assembly onto the spindle. Be careful not to jam the bearings or damage any seal surfaces.



- Make sure the bearings fully seat onto the bottom of the spindle.
- Install the inner jam nut, with the pin facing outward.
- Tighten the inner locknut to 50 ft/lbs, using a spanner locknut wrench. While tightening the inner locknut rotate the rotor & hub assembly to fully seat the bearings.



INSTALLATION (cont):

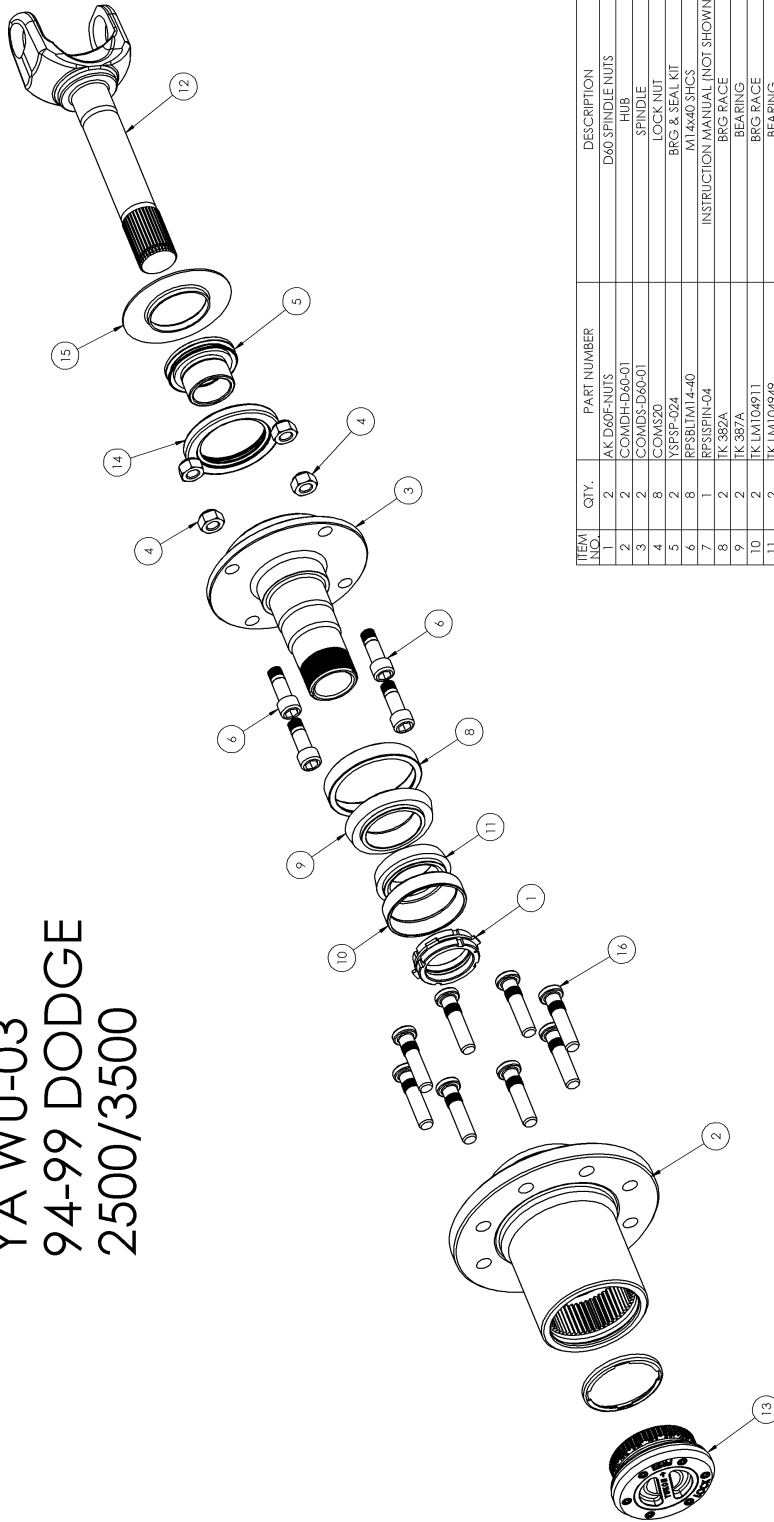
- Back the locknut off 90 degrees.
- Re-tighten locknut back to 15-20ft/lbs.

Do not over torque the spindle nut

- Install lock washer. The key should be positioned into the groove of the wheel spindle. Align the pin of the inner locknut to the nearest lock washer hole. The lock washer may be flipped over to obtain the closest fit.
- Install the outer locknut, tighten to 160-205 ft/lbs.
- Check the final assembly for endplay. Acceptable tolerances are 0.000-0.002".
- Torque required to rotate the hub assembly should not exceed 20 in/lbs.
- Install the premium lockout hubs with the instructions provided with them.
- Install brake caliper.
- Install wheels and torque nuts to factory specifications.
- Double check ALL bolts and nuts. All nuts and bolts should be checked again after 50 & 500 miles of use.
- Check wheel bearings after 500 miles of driving and adjust as necessary.

Spin Free® Unit Bearing Eliminator Installation Instructions

YA WU-03
94-99 DODGE
2500/3500



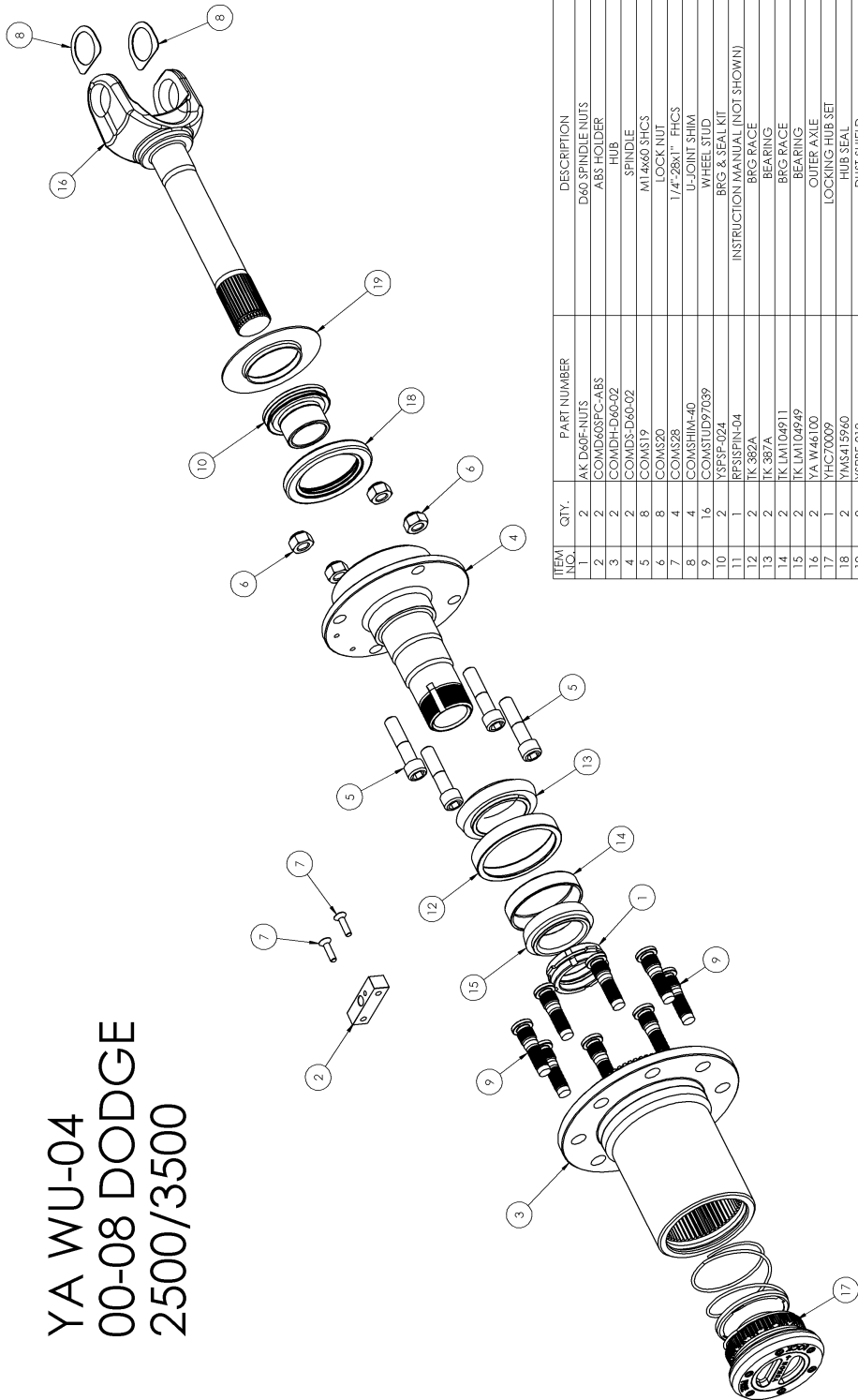
ITEM NO.	QTY.	PART NUMBER	DESCRIPTION
1	2	AK D60F-NUTS	D60 SPINDLE NUTS
2	2	COMDH-D60-01	HUB
3	2	COMDS-D60-01	SPINDLE
4	8	COMS20	LOCK NUT
5	2	YSPF-024	BRG & SEAL KIT
6	8	RFSBLMT14-40	M14x40 SHCS
7	1	RFSISPIN-04	INSTRUCTION MANUAL (NOT SHOWN)
8	2	TK-382A	BRG RACE
9	2	TK-387A	BEARING
10	2	TK-LMT04911	BRG RACE
11	2	TK-LMT04949	BEARING
12	2	YA W46101	OUTER AXLE
13	1	YHC70008	LOCKING HUB SET
14	2	YMS4159960	HUB SEAL
15	2	YSPBF-018	DUST SHIELD
16	16	YSPSTUD-027	WHEEL STUD

14 WU03.DEMOINSTRATIONSLIDE.PDF 7/20/03 6:52 AM



Spin Free® Unit Bearing Eliminator Installation Instructions

YA WU-04
00-08 DODGE
2500/3500



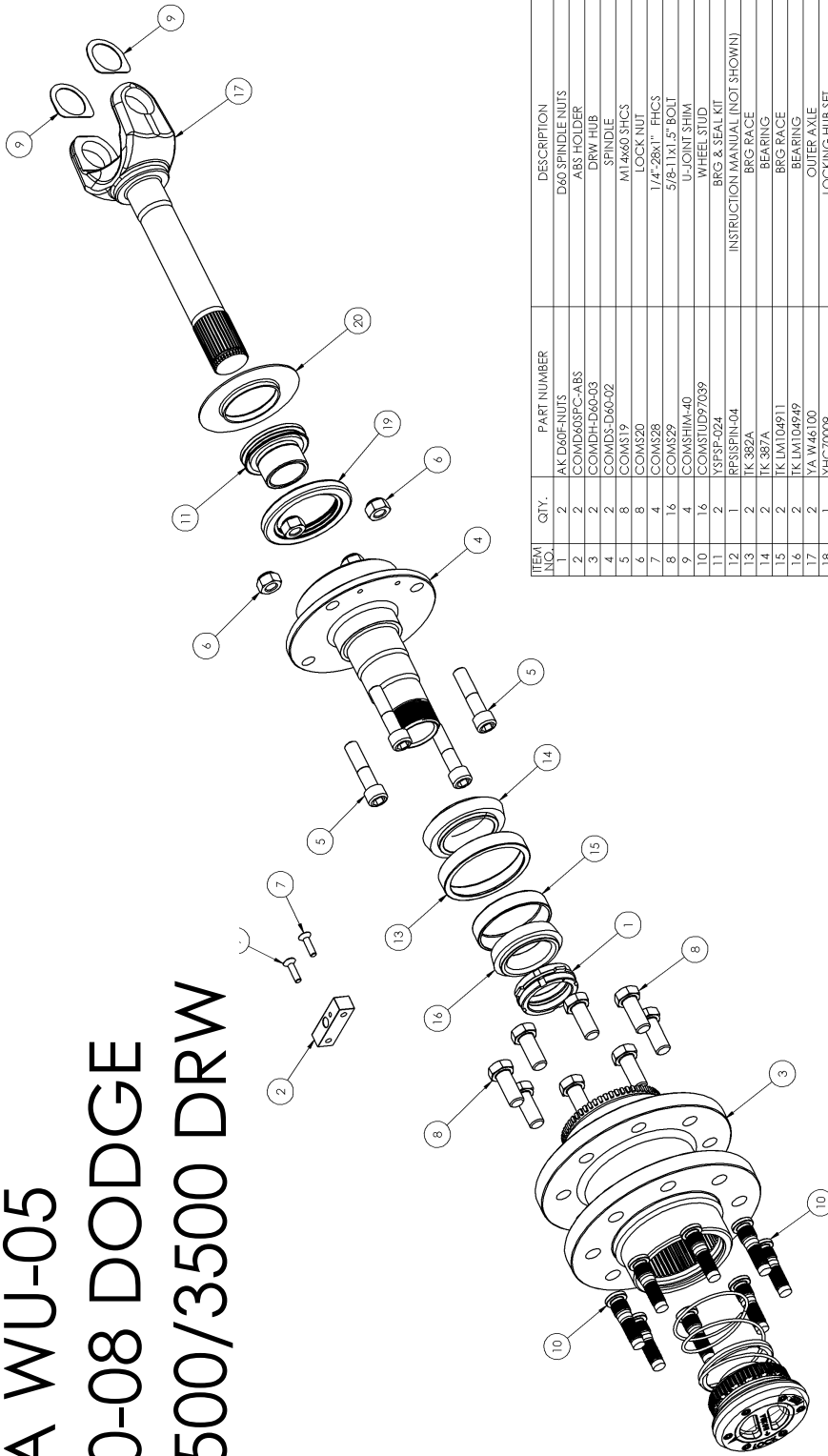
ITEM NO.	QTY.	PART NUMBER	DESCRIPTION
1	2	AK D60F-NUTS	D60 SPINDLE NUTS
2	2	COMD60SPC-ABS	ABS HOLDER
3	2	COMDH-D60-02	HUB
4	2	COMDS-D60-02	SPINDLE
5	8	COMS19	M14x60 SHCS
6	8	COMS20	LOCK NUT
7	4	COMS28	1/4"-28x1" FHCS
8	4	COMSHM-40	U-JOINT SHIM
9	16	COMSTUD97039	WHEEL STUD
10	2	YSPSP-024	BRG & SEAL KIT
11	1	RFSISPIN-04	INSTRUCTION MANUAL (NOT SHOWN)
12	2	TK-382A	BRG RACE
13	2	TK-387A	BEARING
14	2	TK-LM1D911	BRG RACE
15	2	TK-LM1D949	BEARING
16	2	YA W44100	OUTER AXLE
17	1	YHC70009	LOCKING HUB SET
18	2	YMS415940	HUB SEAL
19	2	YSPBF-018	DUST SHIELD

YUKON GEAR & AXLE INSTRUCTIONS 7/15/16 © 2016 YAK



Spin Free® Unit Bearing Eliminator Installation Instructions

YA WU-05 00-08 DODGE 2500/3500 DRW

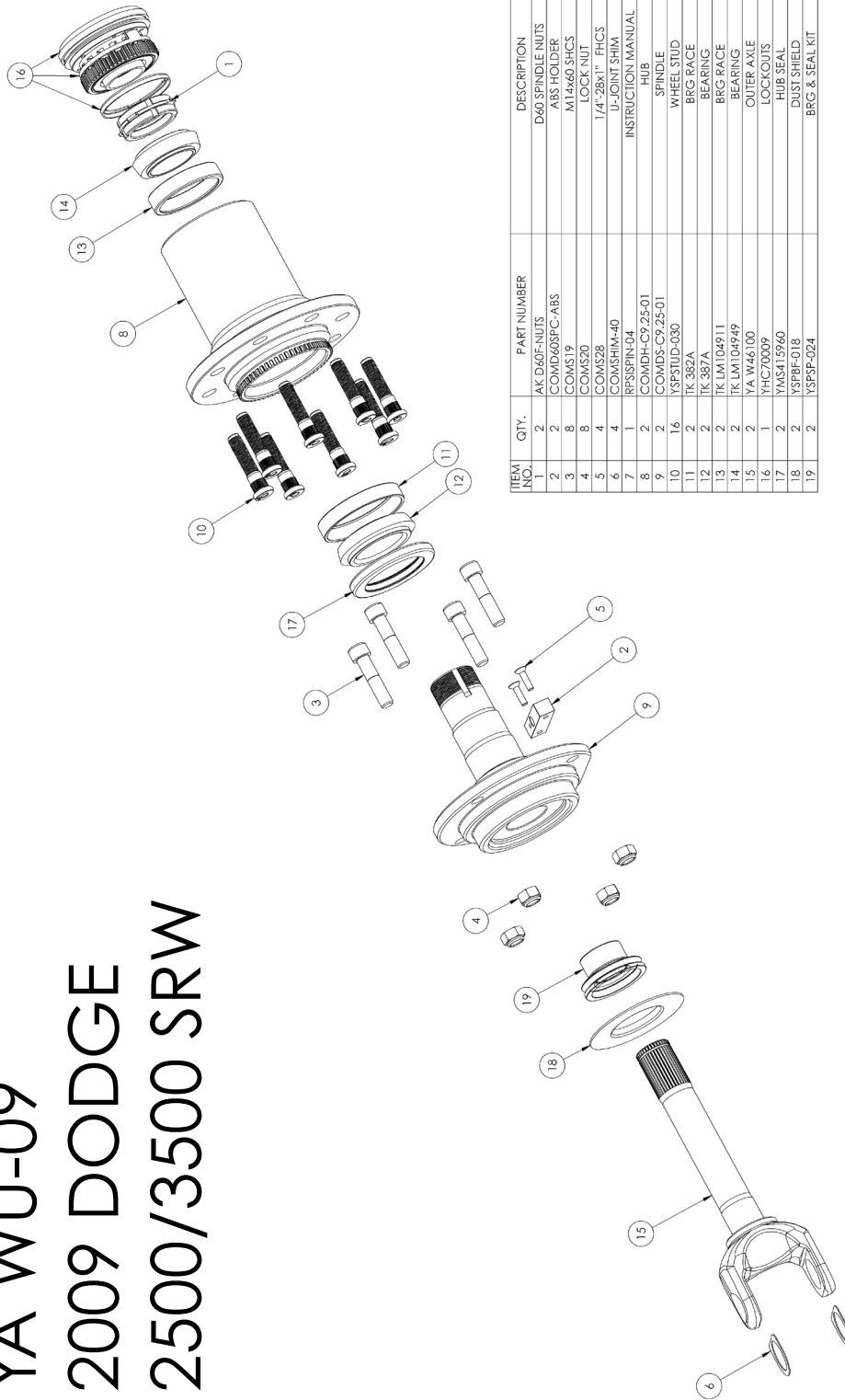


ITEM NO.	QTY.	PART NUMBER	DESCRIPTION
1	2	AK D46F-NUTS	D46 SPINDLE NUTS
2	2	CONID603PC-ABS	ABS HOLDER
3	2	CONIDH-D86-03	DRW HUB
4	2	CONIDS-D60-02	SPINDLE
5	8	CONIS19	M14x60 SHCS
6	8	CONIS20	LOCK NUT
7	4	CONIS29	1/4"-28X1" FHCS
8	16	CONSHIM-40	5/8"-11X1.5" BOLT
9	4	CONSHIM-40	U-JOINT SHIM
10	16	CONSID97039	WHEEL STUD
11	2	YSPSP-024	BRG & SEAL KIT
12	1	RFSISPIN-04	INSTRUCTION MANUAL (NOT SHOWN)
13	2	TK-382A	BRG RACE
14	2	TK-387A	BEARING
15	2	TK-LM104911	BRG RACE
16	2	TK-LM104949	BEARING
17	2	YA W46100	OUTER AXLE
18	1	YHC700X09	LOCKING HUB SET
19	2	YMS415960	HUB SEAL
20	2	YSPRF-018	DUST SHIELD

YA WU-05 CONSTRUCTION/DRAW 7/19/2015 10:44 AM



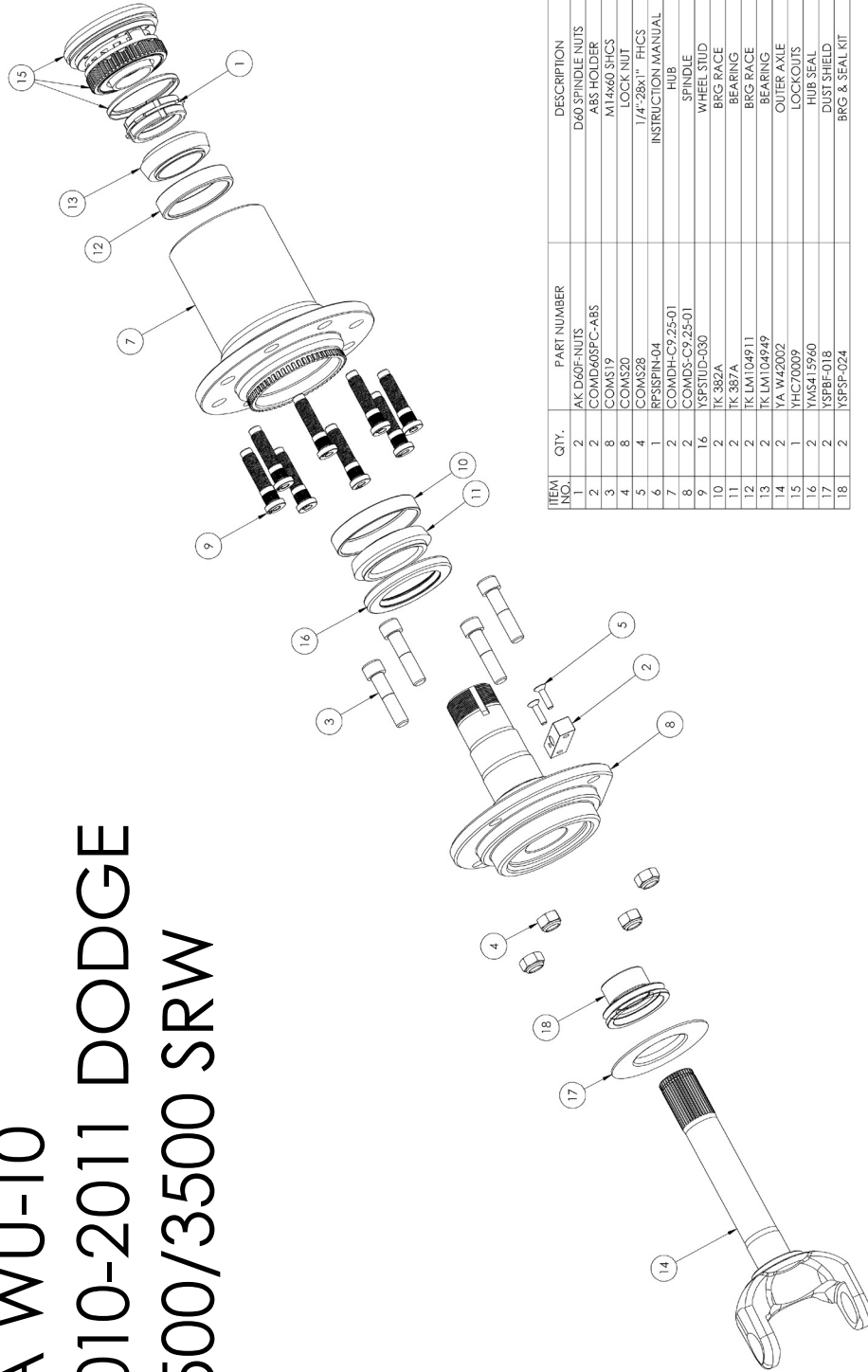
**YA WU-09
2009 DODGE
2500/3500 SRW**



ITEM NO.	QTY.	PART NUMBER	DESCRIPTION
1	2	AK D160E-NUTS	D160 SPINDLE NUTS
2	2	CONID603PC-ABS	ABS HOLDER
3	6	COMS19	M14x60 SHCS
4	8	COMS20	LOCK NUT
5	4	COMS28	1/4"-28X1.75 SHCS
6	4	COMSHIM-40	U-JOINT SHIM
7	1	RF33SPIN-04	INSTRUCTION MANUAL
8	2	COMDIH-C9-Z5-01	HUB
9	2	COMDS-C9-Z5-01	SPINDLE
10	16	YSP310D-030	WHEEL STUD
11	2	TK 382A	BRG RACE
12	2	TK LM104911	BEARING
13	2	TK LM104949	BRG RACE
14	2	TK LM104949	BEARING
15	2	YA W46.00	OUTER AXLE
16	1	YHC70009	LOCKOUTS
17	2	YMS415960	HUB SEAL
18	2	YSPBF-018	DUST SHIELD
19	2	YSPFP-024	BRG & SEAL KIT

Spin Free® Unit Bearing Eliminator Installation Instructions

YA WU-10 2010-2011 DODGE 2500/3500 SRW

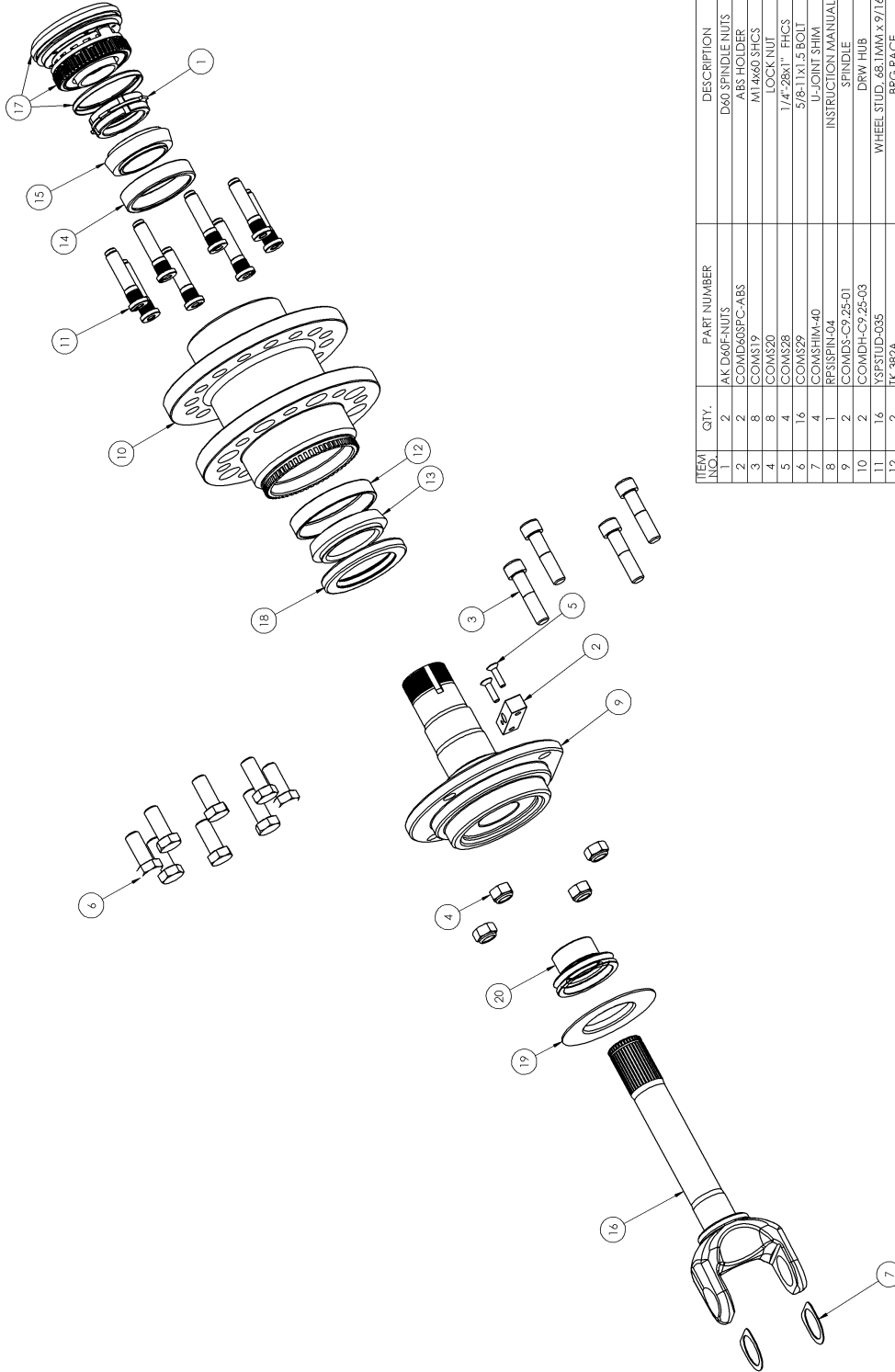


ITEM NO.	QTY.	PART NUMBER	DESCRIPTION
1	2	AK D60F-NUTS	D60 SPINDLE NUTS
2	2	COMD60SFC-ABS	ABS HOLDER
3	8	COMS19	M14x60 SHCS
4	8	COMS20	LOCK NUT
5	4	COMS28	1/4"-28X1" FHCS
6	1	RFS3SPIN-04	INSTRUCTION MANUAL
7	2	COMDH-C9-25-01	HUB
8	2	COMDS-C9-25-01	SPINDLE
9	16	YSP310D-030	WHEEL STUD
10	2	TK 382A	BRG RACE
11	2	TK 387A	BEARING
12	2	TK LM104911	BRG RACE
13	2	TK LM104949	BEARING
14	2	YA W42002	OUTER AXLE
15	1	YHC70009	LOCKOUTS
16	2	YMS415960	HUB SEAL
17	2	YSPBF-018	DUST SHIELD
18	2	YSPFP-024	BRG & SEAL KIT



Spin Free® Unit Bearing Eliminator Installation Instructions

YA WU-11 SPIN FREE, C9.25, 8 LUG, W/ABS
2009 DODGE 2500/3500 DRW



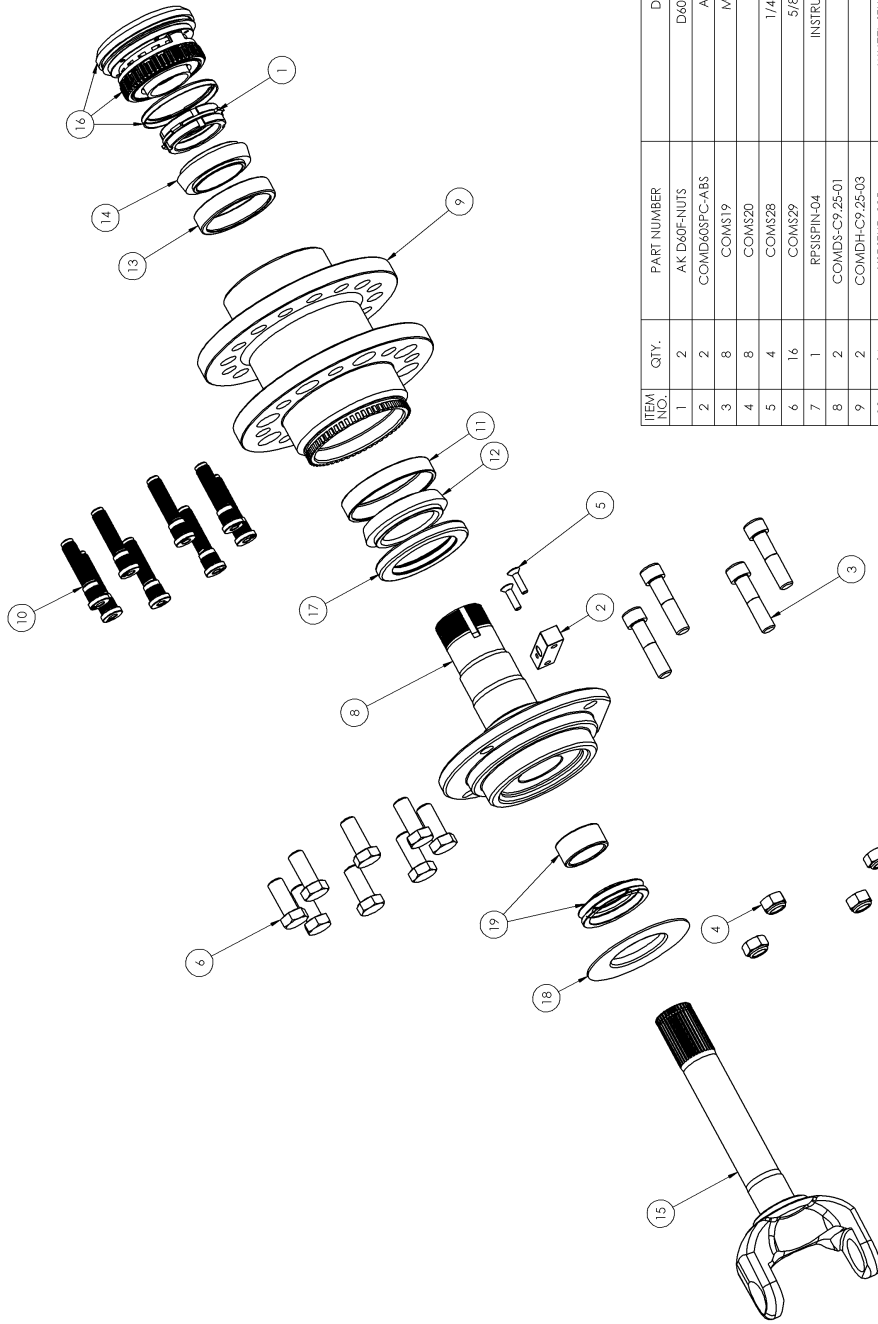
ITEM NO.	QTY.	PART NUMBER	DESCRIPTION
1	2	AK D60F-NUTS	D60 SPINDLE NUTS
2	2	COMD603PC-ABS	ABS HOLDER
3	8	COMS19	M14x60 SHCS
4	8	COMS20	LOCK NUT
5	4	COMS28	1/4"-28x1" FHCS
6	16	COMS29	5/8-11x1.5 BOLT
7	4	COMSHIM-40	U-JOINT SHIM
8	1	RPSISPIN-04	INSTRUCTION MANUAL
9	2	COMDS-C9.25-01	SPINDLE
10	2	COMDH-C9.25-03	DRW HUB
11	16	YSPSTUD-085	WHEEL STUD, 68.1MM X 97/16"-18
12	2	TK 382A	BRC PACE BEARING
13	2	TK 387A	BRC PACE BEARING
14	2	TK IM104911	BRC PACE BEARING
15	2	TK IM104919	BRC PACE BEARING
16	2	YA W44100	OUTER AXLE LOCKOUTS
17	1	YHCT0009	LOCKOUTS
18	2	YMAS155840	HUB SEAL
19	2	YSPFL018	DUST SHIELD
20	2	YSPFP-024	BRC P. SEAL KIT

YA WU-11 3/20/09 7/16/2015 2:45 PM



Spin Free® Unit Bearing Eliminator Installation Instructions

YA WU-12 SPIN FREE, C9.25, 8 LUG, W/ABS
2010-2011 DODGE 2500/3500 DRW



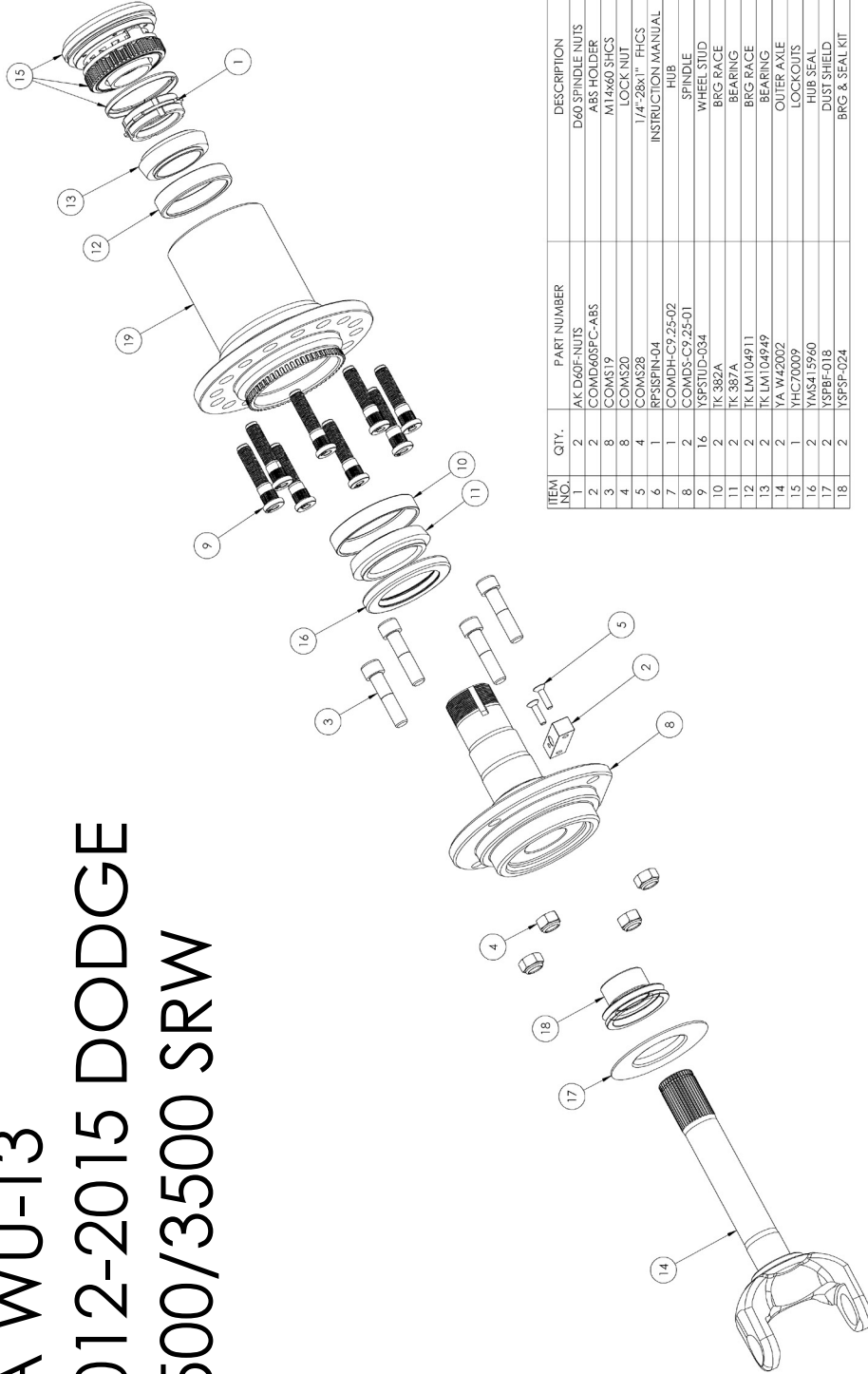
ITEM NO.	QTY.	PART NUMBER	DESCRIPTION
1	2	AK D60F-NUTS	D60 SPINDLE NUTS
2	2	COMD663FC-ABS	ABS HOLDER
3	8	COM319	M14x60 SHCS
4	8	COM320	LOCK NUT
5	4	COM328	1/4"-28x1" FHCS
6	16	COM329	5/8-11x1.5 BOLT
7	1	RPSISPIN-04	INSTRUCTION MANUAL
8	2	COMDS-C9.25-01	SPINDLE
9	2	COMDH-C9.25-03	DRW HUB
10	16	YSPSTUD-035	WHEEL STUD, 68.1MM X 9/16"-18
11	2	TK 382A	BRG RACE
12	2	TK 387A	BEARING
13	2	TK LM104911	BRG RACE
14	2	TK LM104949	BEARING
15	2	YA W42002	OUTER AXLE
16	1	YHC70009	LOCKOUTS
17	2	YMS415960	HUB SEAL
18	2	YSPBF-018	DUST SHIELD
19	2	YSPSP-024	BRG & SEAL KIT

1A WU-12 DRW 7/16/2010 10:22 AM



Spin Free® Unit Bearing Eliminator Installation Instructions

YA WU-13 2012-2015 DODGE 2500/3500 SRW

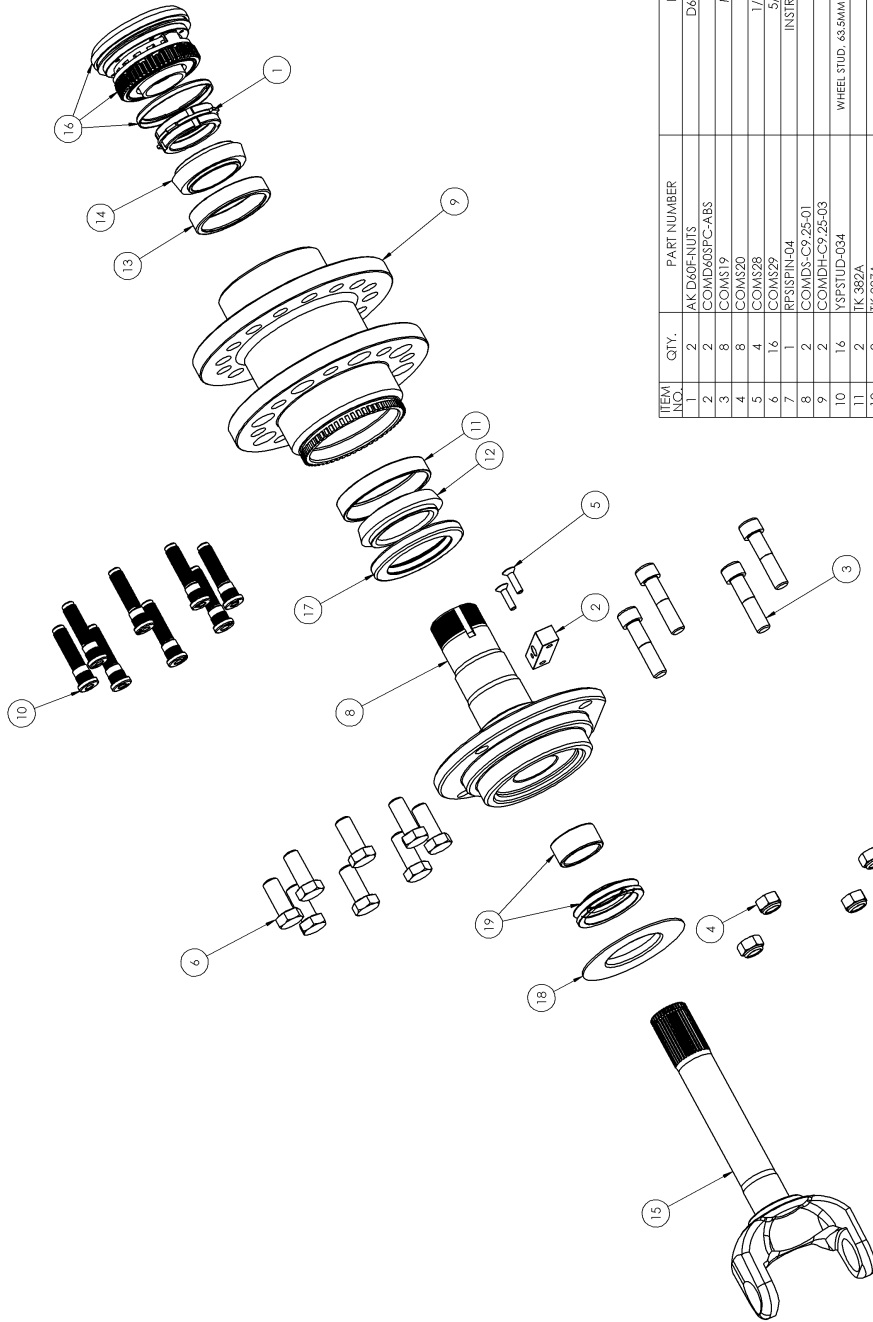


ITEM NO.	QTY.	PART NUMBER	DESCRIPTION
1	2	AK D60F-NUTS	D60 SPINDLE NUTS
2	2	COMD60SFC-ABS	ABS HOLDER
3	8	COMS19	M14x60 SHCS
4	8	COMS20	LOCK NUT
5	4	COMS28	1/4"-28X1" FHCS
6	1	RFS3SPIN-04	INSTRUCTION MANUAL
7	1	COMDH-C9-25-02	HUB
8	2	COMDS-C9-25-01	SPINDLE
9	16	YSP310D-034	WHEEL STUD
10	2	TK 382A	BRG RACE
11	2	TK 387A	BEARING
12	2	TK LM104911	BRG RACE
13	2	TK LM104949	BEARING
14	2	YA W42002	OUTER AXLE
15	1	YHC70009	LOCKOUTS
16	2	YMS415960	HUB SEAL
17	2	YSPBF-018	DUST SHIELD
18	2	YSPFP-024	BRG & SEAL KIT



Spin Free® Unit Bearing Eliminator Installation Instructions

YA WU-14 2012-2015 DODGE 2500/3500 DRW SPIN FREE KIT



ITEM NO.	QTY.	PART NUMBER	DESCRIPTION
1	2	AK D46F-NUTS	D40 SPINDLE NUTS
2	2	COMD40SPC-ABS	ABS HOLDER
3	8	COMS19	M14x60 SHCS
4	8	COMS20	LOCK NUT
5	4	COMS28	1/4"-28x1" FHCS
6	16	COMS29	5/8"-11x1.5 ROIT
7	1	RPSISPIN-04	INSTRUCTION MANUAL
8	2	COMDS-C9 25-01	SPINDLE
9	2	COMDHC9 25-03	DRW HUB
10	16	YSPSTUD-034	WHEEL STUD, 68.5MM X M14-1.5 (CHRYSLER #0652986644)
11	2	TK-382A	BRG RACE
12	2	TK-387A	BEARING
13	2	TK-DM104911	BRG RACE
14	2	TK-DM104949	BEARING
15	2	YA-W42002	OUTER AXLE
16	1	WHC70069	LOCKOUTS
17	2	YMS415960	HUB SEAL
18	2	YSPBF-018	DUST SHIELD
19	2	YSPSF-024	BRG & SEAL KIT

YA WU-14 DRW 07/19/2016 6:00 AM





© Yukon Gear & Axle